

IEC Plug I, Cord Connector (Rewireable), Straight



Description

- Screwing cable terminal,
- 1 Function:
- Pin temperature 70 °C, Protection class I, Cable
- Note: cable guard has to be ordered separately, mating cable guards please find under accessories

Approvals

- VDE Certificate Number: 40008629
- UL File Number: E45115
- CSA File Number: 27324

References

This type is Phase-out. Alternate type: [4796](#)
Last order date: 30.09.2013

Weblinks

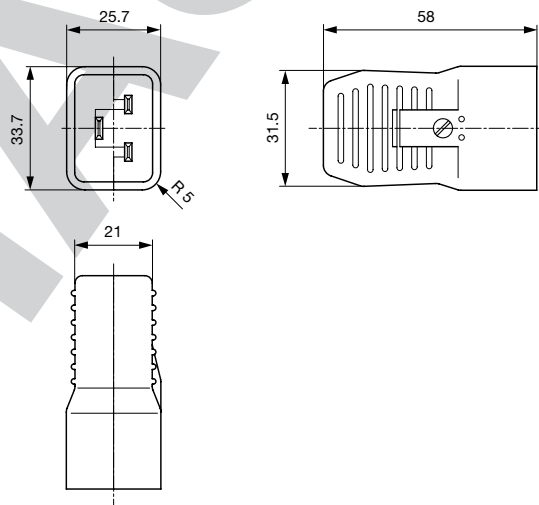
[pdf-datasheet](#), [html-datasheet](#), [General Product Information](#), [Approvals](#), [CE declaration of conformity](#), [RoHS](#), [CHINA-RoHS](#), [REACH](#), [Mating Connectors](#), [e-Shop](#), [SCHURTER-Stock-Check](#), [Distributor-Stock-Check](#), [CAD-Drawings](#), [Accessories](#), [Detailed request for product](#)

Technical Data

Ratings IEC	16A / 250VAC; 50Hz
Ratings UL/CSA	21A / 250VAC; 60Hz
Dielectric Strength	> 4 kVAC between L-N > 2 kVAC between L/N-PE (1 min/50Hz)
Allowable Operation Temp.	-25 °C to 70 °C
Degree of Protection	from front side IP 40 acc. to IEC 60529
Protection Class	Suitable for appliances with protection class I acc. to IEC 61140
Terminal	Screw clamps
Material: Housing	PA6, black / grey / white, UL 94V-0

Plug	I acc. to IEC 60320 UL 498, CSA C22.2 no. 42 (for cold conditions) pin-temperature 70 °C, 16A, Protection Class I
------	--

Dimensions



Config. Code

0106 - H - A B C 0 - D - E J

The characters are placeholders for the correspondingly keys of selections from the key tables.

0106 - H - A B C 0 - D - E J = Type

Type	Configuration key
protection class 1	X

0106 - H - A B C 0 - D - E J = Terminals

Terminal L	Configuration key
screw terminal	A

0106 - H - A B C 0 - D - E J = Terminals

Terminal N	Configuration key
screw terminal	A

Symbols similar as in table A

0106 - H - A B C 0 - D - E J = Terminals

Terminal Ground	Configuration key
screw terminal	A

Symbols similar as in table A

0106 - H - A B C 0 - D - E J = Color

Color	Configuration key
Black	A
Grey	B
White	D

0106 - H - A B C 0 - D - E J = Style

Style	Configuration key
for cord assembly	8

0106 - H - A B C 0 - D - E J = Condition

Condition	Configuration key
assembled	1
disassembled	2

All Variants

Config. Code	Description	Order Number
0106-X-AAA0-A-81	0106, IEC Plug, I, 70°C, version: I, L: screw terminal, N: screw terminal, ground: screw terminal, color: Black, design: for cord assembly, condition:assembled	4310.0008
0106-X-AAA0-B-81	0106, IEC Plug, I, 70°C, version: I, L: screw terminal, N: screw terminal, ground: screw terminal, color: Grey, design: for cord assembly, condition:assembled	4310.0009

The listed variants should be available from stock Other versions on request www.schurter.com/contact

Max. torque for screws: Terminals: 0.8 Nm, Cable clamps: 0.4 Nm, Cover: 0.4 Nm

Packaging unit 50 Pcs

Accessories

Description



Cable Guard KT14
PVC Cable Guard for rewireable connectors

Mating Outlets/Connectors

Category / Description



[Appliance inlets/-outlets Overview complete](#)

Plug Coupler IEC C20 / IEC J, Screw-on Mounting	4730
---	------

[Appliance inlets/-outlets further types to 0106](#)



[Appliance Outlet Overview complete](#)

IEC Appliance Outlet J, Screw-on Mounting, Front Side, Solder or Quick-connect Terminal	0723
IEC Appliance Outlet J, Snap-in/Screw-on Mounting, Front Side, Solder or Quick-connect Terminal	4797
IEC Appliance Outlet J, Snap-in Mounting, Front Side, Quick-connect Terminal	5013
IEC Appliance Outlet J, Screw-on Mounting, Front Side, Quick-connect Terminal	5016
IEC Appliance Outlet J, Screw-on Mounting, Front Side, Quick-connect Terminal	5017

[Appliance Outlet further types to 0106](#)

...



[Connector Overview complete](#)

IEC Connector C19, Rewireable, Straight	0104U
IEC Connector C19, Rewireable, Angled	4790
IEC Connector C19, Rewireable, Straight	4795

[Connector further types to 0106](#)

PHASE