

1 Assembly Instruction for 4710 IDC contact with / without cover

Before assembling the 4710 IDC contacts with the proper wire gauge, make sure that the contacts are clean and not twisted.

To connect the wires into the IDC contacts, whether the outlet is already installed in a panel or not, the outlet should be placed on a flat surface where a force for 3 wires of up to 800 N can be applied.

Depending on the wire style (cross-section, insulation), the press-in force for one solid wire is between 150 - 250 N. Therefore, the force for three wires may reach 750 N.

2 Wire

Arrangement cross

4710.1XXX.XX 10 AWG / 6.0 mm² Insulated solid wire (*)

4710.3XXX.XX 12 AWG / 4.0 mm² Insulated solid wire (*)

4710.5XXX.XX 2.5 mm² Insulated solid wire (*)

Arrangement along

4710.2XXX.XX 10 AWG / 6.0 mm² Insulated solid wire (*)

4710.4XXX.XX 12 AWG / 4.0 mm² Insulated solid wire (*)

4710.6XXX.XX 2.5 mm² Insulated solid wire (*)

(*) according IEC 60998-2-3 type "r" solid wire (single or multicore) conductors

Insulation

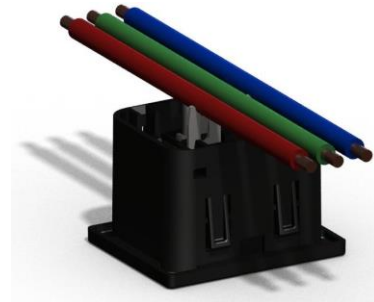
For America: According to UL 758

For Europe: According to IEC 60228

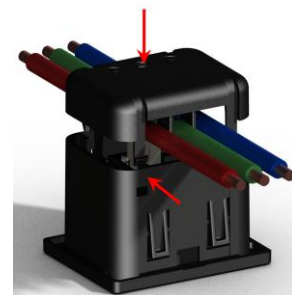
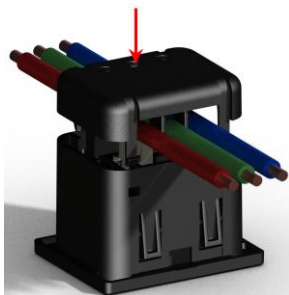
Outer diameter shall not exceed Ø 4.5 mm

3 Assembly Instruction for 4710 IDC contact with the cover

- 1.) IDC contacts must be clean and not twisted. The contacts are not rewirable. 2.) Place three solid wires on the IDC contacts L, N and PE

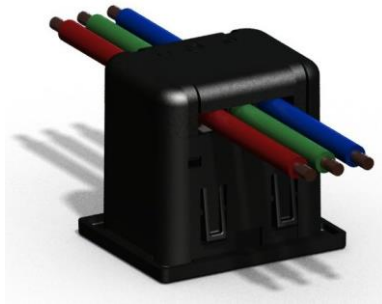


- 3.) Place the appropriate cover on the outlet. Ensure the cover is in the right position. 4.) Use the cover to press the wire down into the IDC contacts. The cover must snap-in with the body.

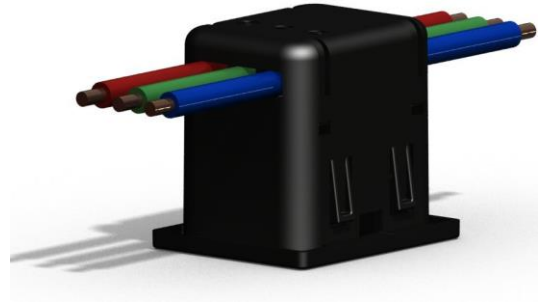


4710 Wiring Instruction					0115.0053	
Created date:	Created by:	Released date:	Released by:	Notification-Nr.	Index	Page
14.06.2011 10:22:51	ammannsa	30.11.2015	schaidro	28295	b	1 von 3

5.) This assembly instruction is valid for 4710 cross and 4710 along.



4710 cross

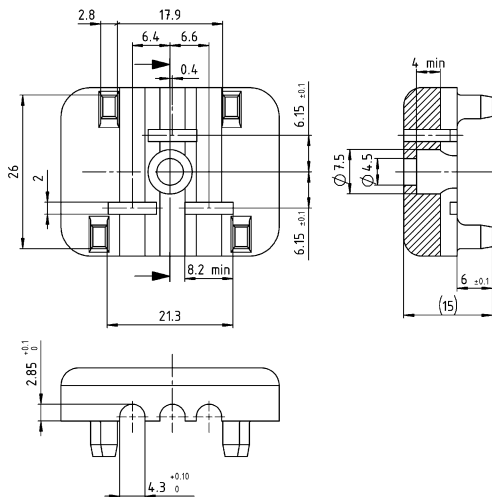


4710 along

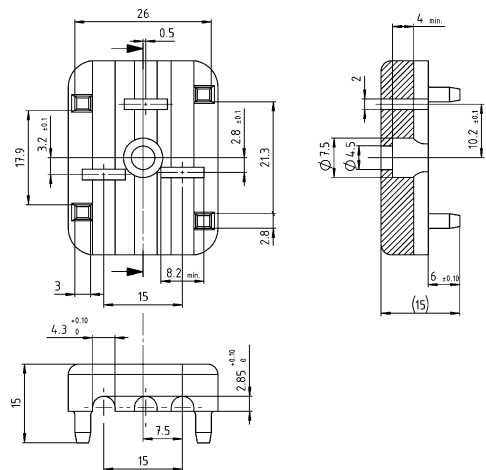
4 Assembly Instruction with a force fitting tool for 4710 IDC contact

1.) A force fitting tool can be designed by the customer. This instruction shows a recommended variation of a force fitting tool, for both cross and along arrangement variations.

Arrangement cross:

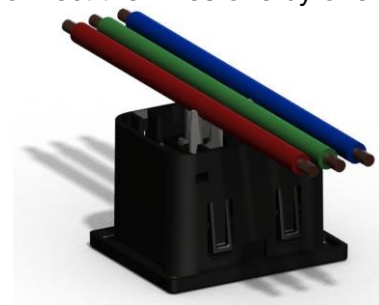


Arrangement along:



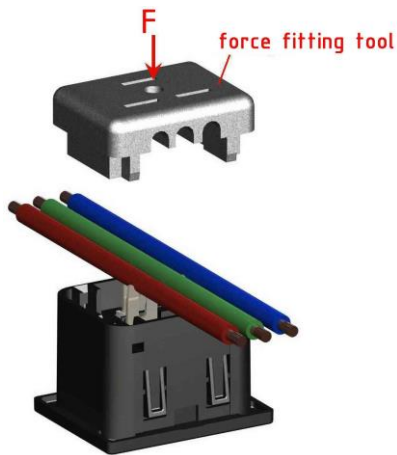
2.) IDC contacts must be clean and not twisted. The contacts are not rewirable.

3.) Place the wires on the IDC contacts L, N and PE. At customer's option it's possible to connect the wires one by one.

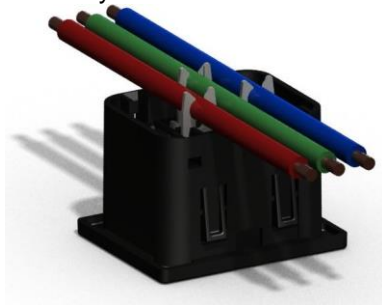


4710 Wiring Instruction					0115.0053	
Created date:	Created by:	Released date:	Released by:	Notification-Nr.	Index	Page
14.06.2011 10:22:51	ammansa	30.11.2015	schaidro	28295	b	2 von 3

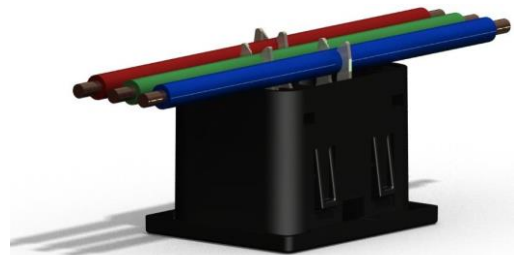
- 4.) Place the force fitting tool on the outlet and press the wires down into the IDC contacts until the wires are fixed at the socket.



- 5.) This assembly instruction is valid for 4710 cross and 4710 along.

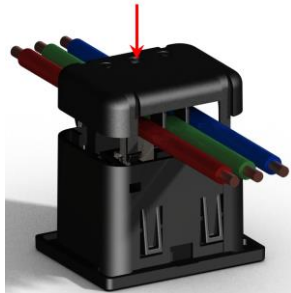


4710 cross



4710 along

- 6.) Plug in the rear cover to the wired socket.



4710 Wiring Instruction					0115.0053	
Created date:	Created by:	Released date:	Released by:	Notification-Nr.	Index	Page
14.06.2011 10:22:51	ammannsa	30.11.2015	schaidro	28295	b	3 von 3