

, 9-pole, Plug, solder terminal, DIN Plug/Socket



See below:  
[Approvals and Compliances](#)

### Description

- Solder : for cable mounting
- DIN Plug: 9-pole , straight

### Weblinks

[pdf data sheet](#), [html datasheet](#), [General Product Information](#), [Distributor-Stock-Check](#), [Detailed request for product](#)

### Technical Data

Diameter	9.0 mm
Number of Poles	9-pole
Ratings DC	2 A / 12VDC
Ratings AC	1 A / 100VAC
Dielectric Strength	250VAC
Insulation Resistance	> 50 MΩ @ 250VDC

Allowable Operation Temperature	-20°C to 70°C
Terminal	solder terminal silver plated
Lifetime	5000Insertions




### Approvals and Compliances

Detailed information on product approvals, code requirements, usage instructions and detailed test conditions can be looked up in [Details about Approvals](#)

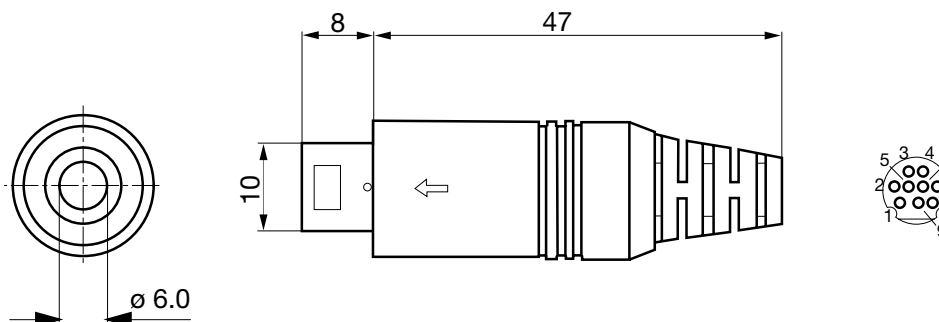
SCHURTER products are designed for use in industrial environments. They have approvals from independent testing bodies according to national and international standards. Products with specific characteristics and requirements such as required in the automotive sector according to IATF 16949, medical technology according to ISO 13485 or in the aerospace industry can be offered exclusively with customer-specific, individual agreements by SCHURTER.

### Compliances

The product complies with following Guide Lines

Identification	Details	Initiator	Description
	RoHS	SCHURTER AG	Directive RoHS 2011/65/EU, Amendment (EU) 2015/863
	China RoHS	SCHURTER AG	The law SJ / T 11363-2006 (China RoHS) has been in force since 1 March 2007. It is similar to the EU directive RoHS.
	REACH	SCHURTER AG	On 1 June 2007, Regulation (EC) No 1907/2006 on the Registration, Evaluation, Authorization and Restriction of Chemicals 1 (abbreviated as "REACH") entered into force.

### Dimensions [mm]



## All Variants

Product group	Diameter [mm]	Number of Poles	Terminal	Order Number
DIN Plug/Socket	9.0	9-pole	solder terminal	4850.1910

Availability for all products can be searched real-time: <https://www.schurter.com/en/info-center/support-tools/stock-check-distributors>

<b>Packaging unit</b>	100 Pcs
-----------------------	---------

## Mating Outlets/Connectors

Category / Description



[DIN Plugs / Sockets Overview complete](#)

, 9-pole, Socket, PCB terminals, DIN Plug/Socket	4850.2950
--	-----------